

TECNOLOGIA E POTENZA

CM 60B

- HOME
- CM 60B
- CM 61S2
- CM 73A
- CM 71A
- CM 76B
- CM 78A
- CM 74B
- CM 82S4
- CM 75S4
- CM 90S4
- CM 50S4
- E-mail

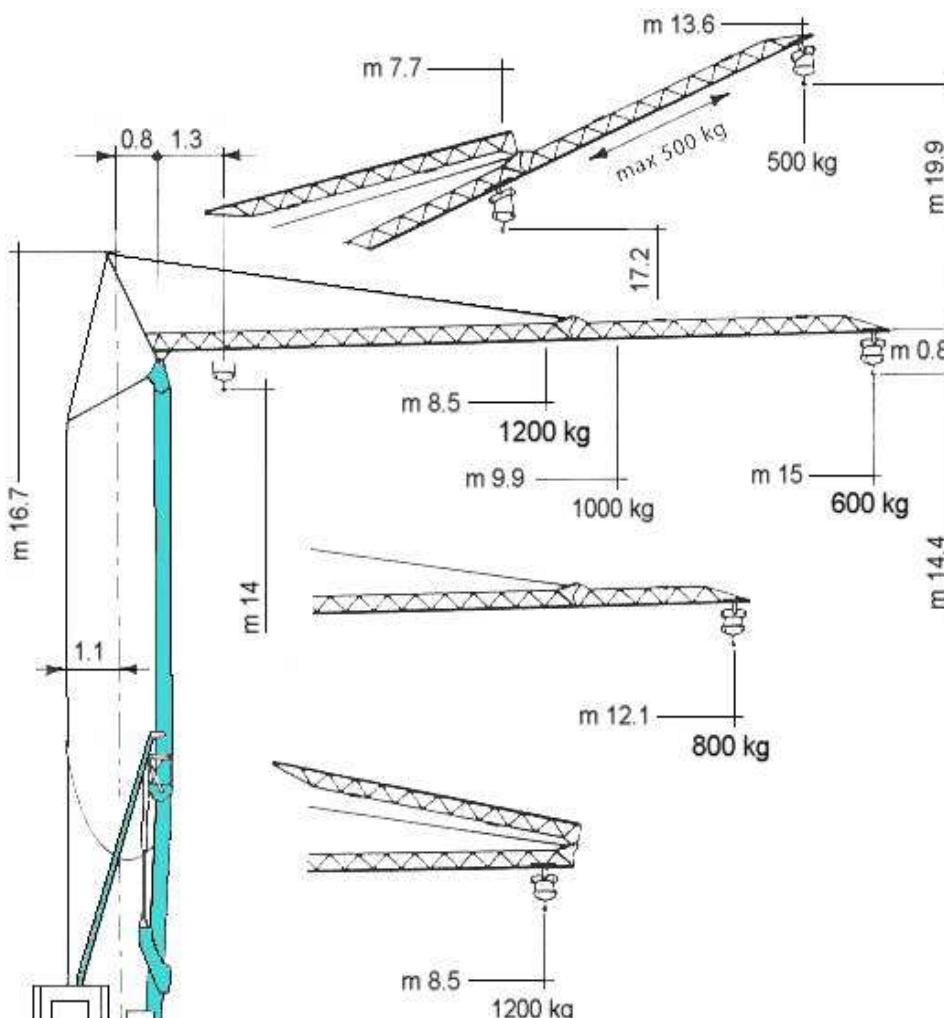


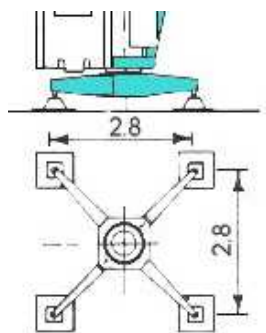
CARATTERISTICHE CHARACTERISTICS



Curve di carico/Load diagrams/Courbes de charge/Lastkurven/Curvas de cargas

kg	1200	1100	1000	900	800	700	600
m	8.5	9.2	9.9	10.9	12.1	13.1	15.0
m	8.5	9.2	9.9	10.9	12.1		





CARATTERISTICHE / CHARACTERISTICS



CATTANEO

Via Trieste, 14 - 20020 Magnago (MI) - Italy
Tel. 00390331657132 - Fax 00390331305460